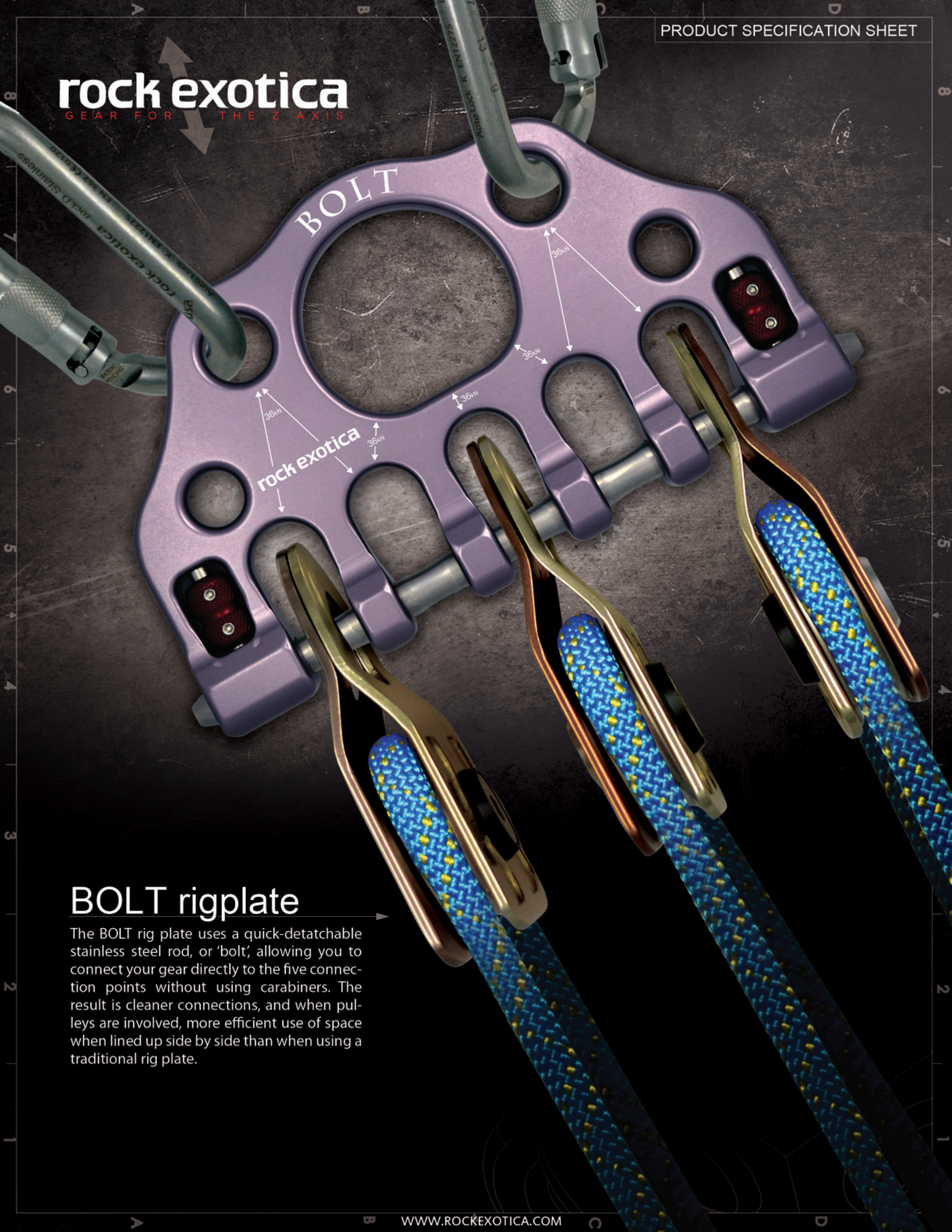


rock exotica
GEAR FOR THE Z AXIS

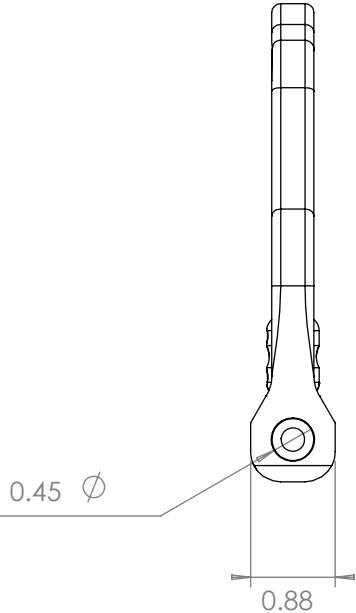
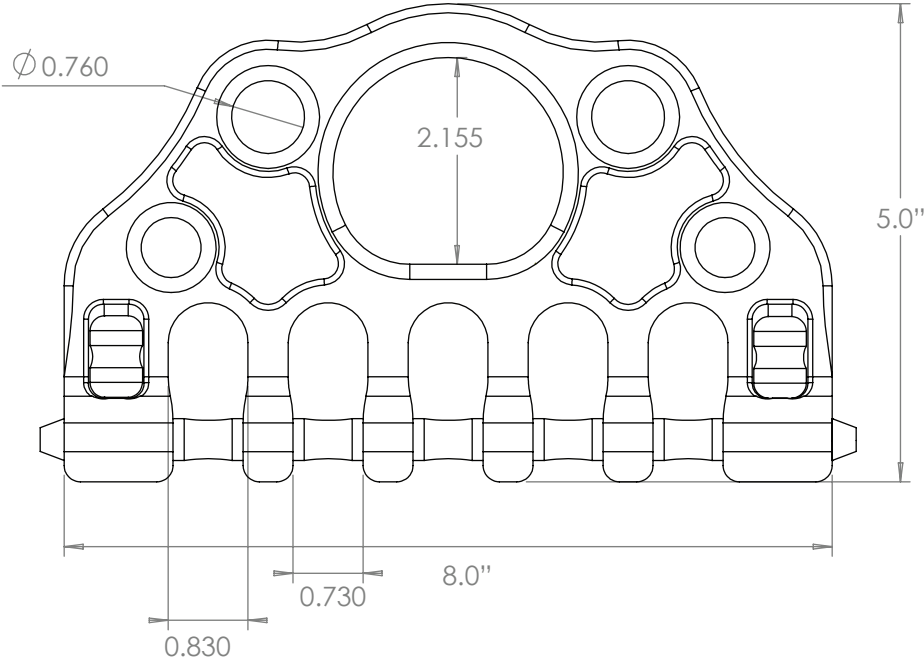


BOLT rigplate

The BOLT rig plate uses a quick-detachable stainless steel rod, or 'bolt', allowing you to connect your gear directly to the five connection points without using carabiners. The result is cleaner connections, and when pulleys are involved, more efficient use of space when lined up side by side than when using a traditional rig plate.

RP5 - BOLT

- MBS: 36kN
- Weight: 17.25 oz (489gm)
- Width: 8.0" (203mm)
- Height: 5.0" (127mm)
- Thickness: .88" (22mm)
- Material: Aluminum Alloy (Body)
Stainless Steel (Pin)



OTHER VIEWS

